

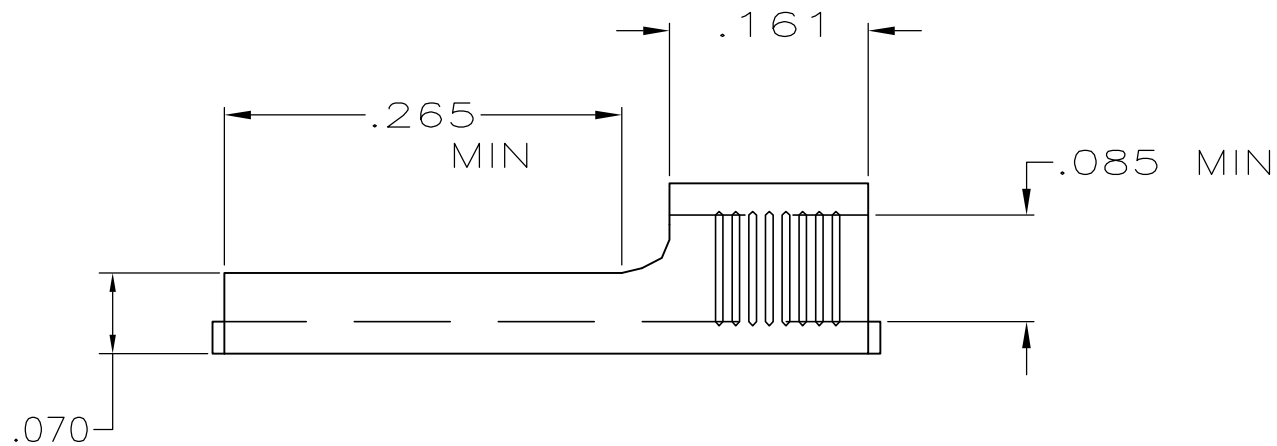
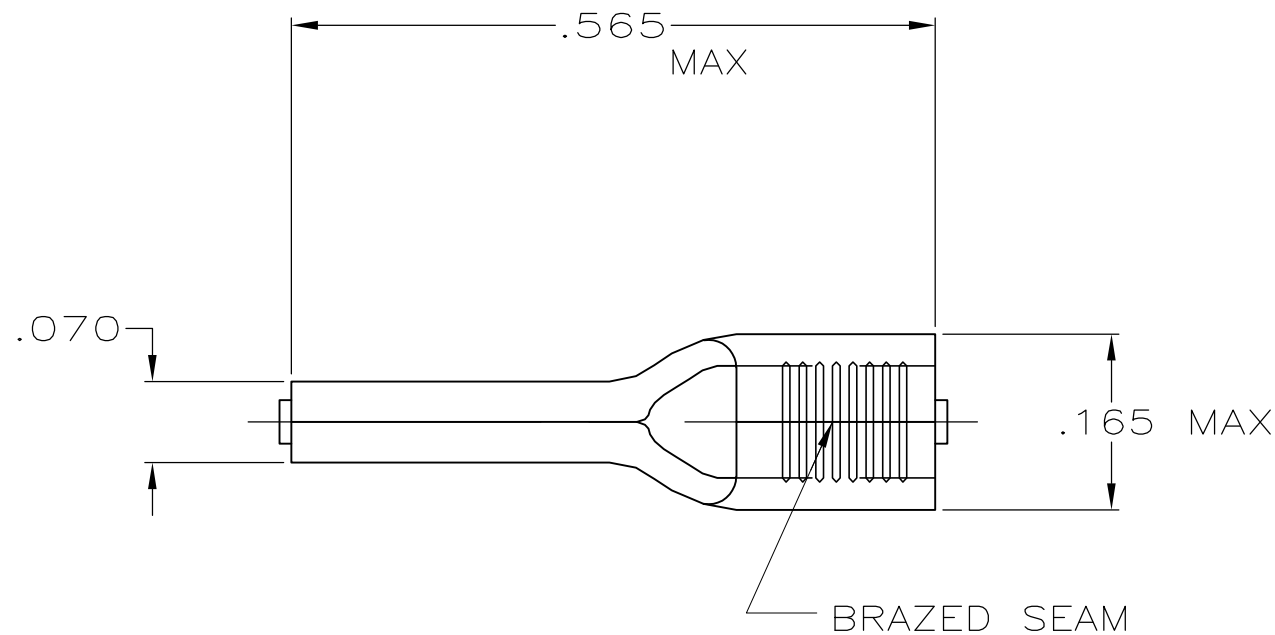
THIS DRAWING IS UNPUBLISHED. RELEASED FOR PUBLICATION

© COPYRIGHT BY TYCO ELECTRONICS CORPORATION. ALL RIGHTS RESERVED.

LOC	DIST	REVISIONS					
G	86	P	LTR	DESCRIPTION	DATE	DWN	APVD
		D		REV PER ECR 07-023647	12OCT07	JR	TM

AMP
WIRE RANGE

16-14 AWG
SOLID OR STRANDED



165045
PART NO

THIS DRAWING IS A CONTROLLED DOCUMENT.		DWN	JR RUTH	01JUN07	Tyco Electronics Corporation Harrisburg, PA 17105-3608			
DIMENSIONS: INCHES		CHK	M SPICER	01JUN07				NAME
TOLERANCES UNLESS OTHERWISE SPECIFIED:		APVD	M SPICER	01JUN07	TERMINAL, WIRE PIN, SOLISTRAND, WIRE SIZE, 16-14 AWG			
0 PLC ± - 1 PLC ± - 2 PLC ± .008 3 PLC ± - 4 PLC ± - ANGLES ± -		PRODUCT SPEC	-		SIZE	CAGE CODE	DRAWING NO	RESTRICTED TO
MATERIAL		APPLICATION SPEC	-		A3	00779	C-165045	-
COPPER PER ASTM B152		FINISH	TIN PLATE PER ASTM B545		CUSTOMER DRAWING			SCALE
						6:1		SHEET
						1 OF 1		REV
								D